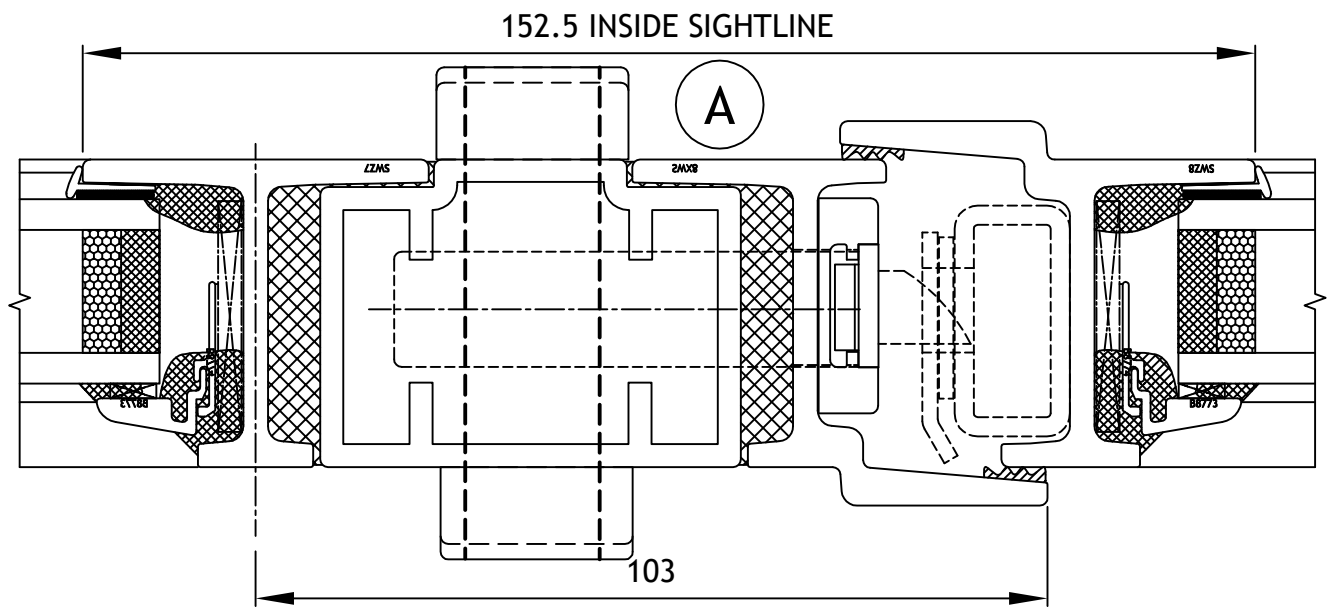
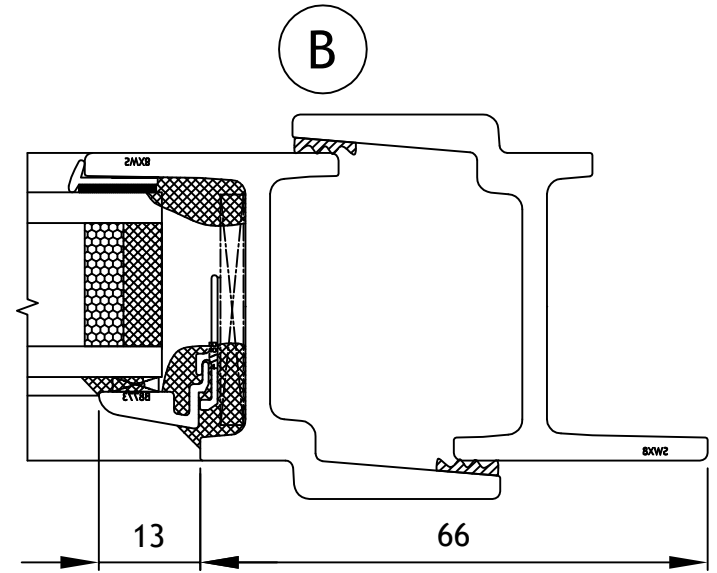
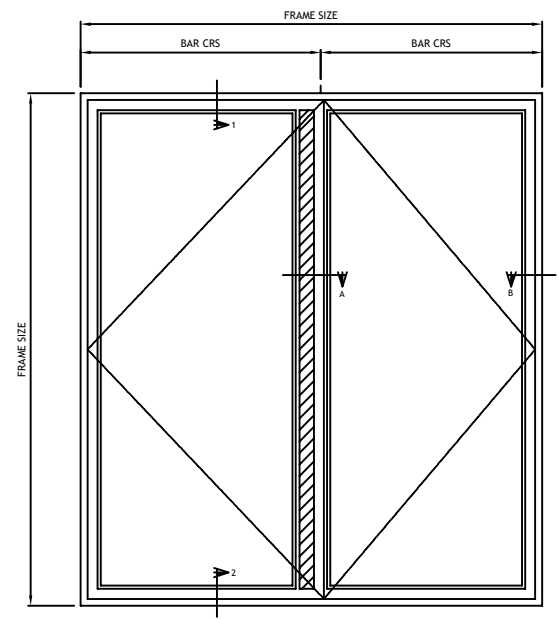
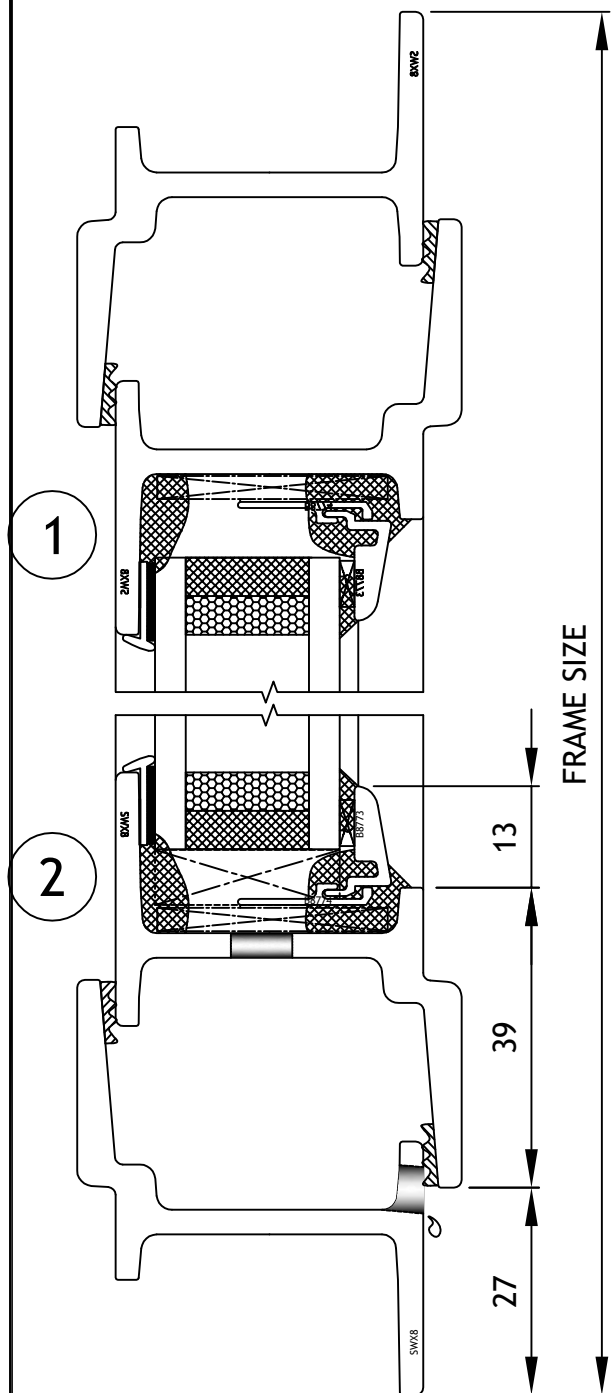


EB24 MULTIPOINT LOCKING OPEN OUT DOOR



	Copyright Reserved 2013. CLEMENT WINDOWS LTD This product is protected by the provisions of the Copyright, Design & Patents Act 1988		DRAWING TITLE: EB24 M.P. Locking Door	DRAWING No. EB08
	EMAIL: info@clementwg.co.uk WEBSITE: www.clementwindows.co.uk		CLIENT:	REVISION:
			DATE: 08/03/17 SCALE @ A1: 1:1 & 1:30	