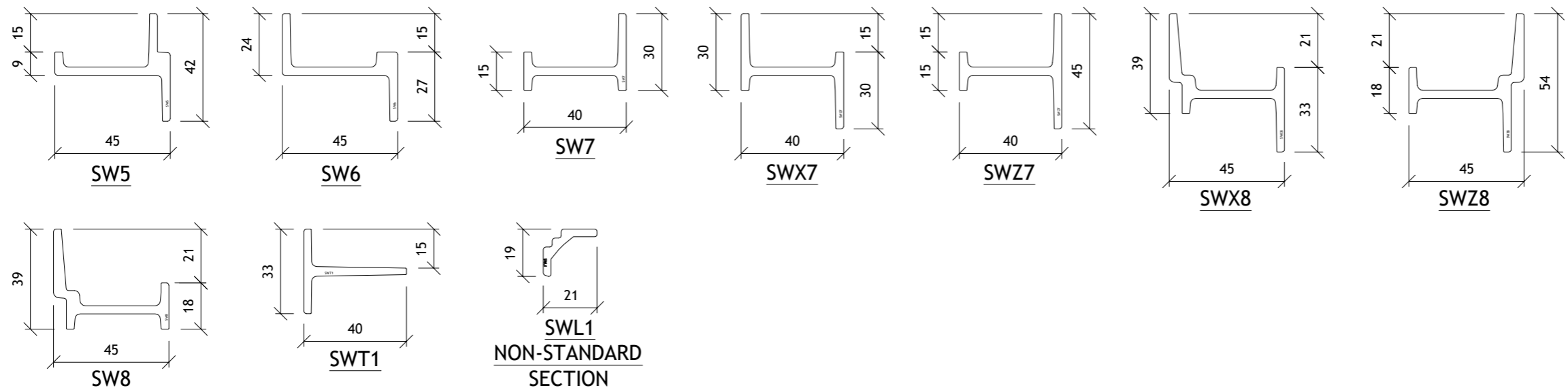


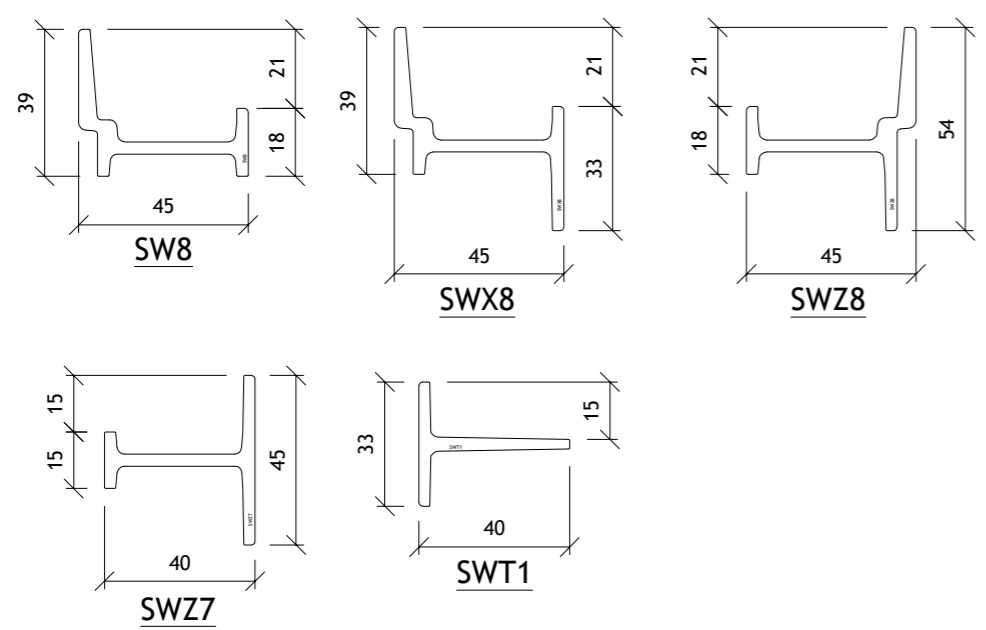
Copyright © 1988 by CLEMENT WINDOWS LTD
 This product is protected by the provisions of the Copyright, Design & Patents Act 1988
 This drawing is the property of Clement Windows Ltd.
 It is forbidden to copy, re-produce or use these details in any way (including transfer to another party) without the express authority/permission of Clement Windows Ltd in writing.

- NOTES
1. DO NOT SCALE
 2. PLEASE NOTE THAT ALL PRODUCT ARE SUBJECT TO MANUFACTURING TOLERANCE OF +0mm / -2mm
 3. ALL DRAWINGS APPROVED FOR MANUFACTURE WILL INCUR COSTS IF CHANGED

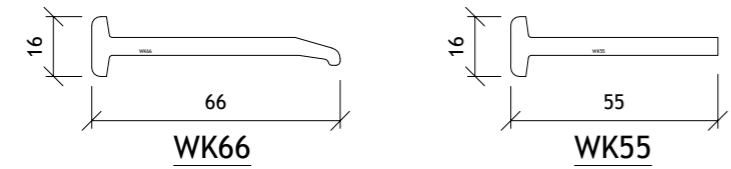
W40 WINDOW SECTIONS



W40 DOOR SECTIONS



UNIVERSAL COUPLING SECTIONS



DATE	REV	INT	COMMENTS
REVISIONS			

CLEMENT
creating light...beautifully

For Information

Drawing Title
SECTION DRAWING

Project/Site

Contractor/Client

Architect

Scale @ A1: 1:1 **Drawn By:** AH
Date: 2021 **Checked by:**

Clement House
 Haslemere
 Surrey, GU27 1HR
 Tel: 01428 643393
 Fax: 01428 644436
 E-mail: antony.holden@clementwg.co.uk

Drawing No. W40	Revision -
---------------------------	----------------------